

DEGERtracker S60H/S70

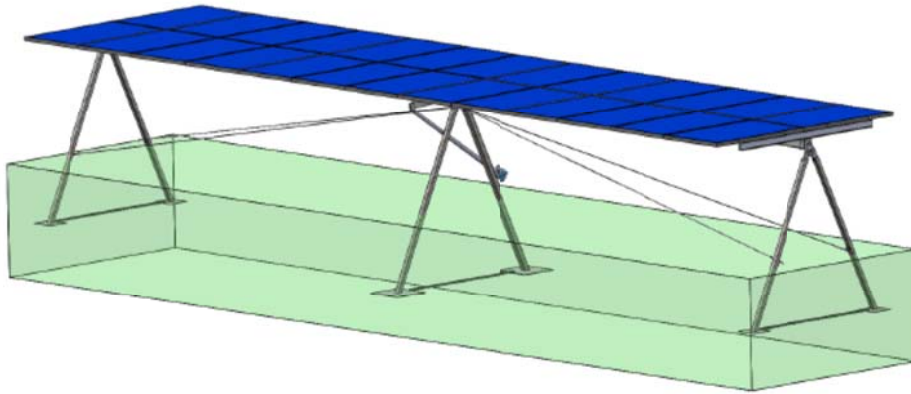
New S-Series single-axis tracking systems from DEGER



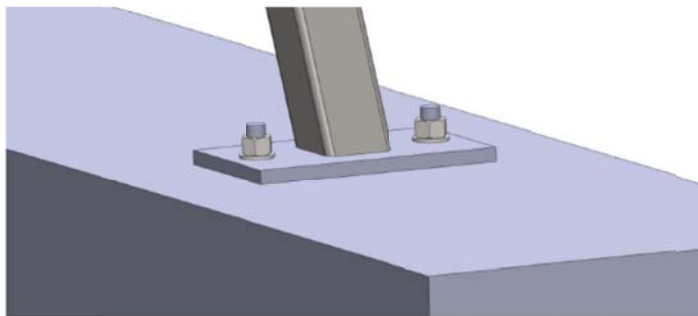
Specifications:

- DEGERtracker S60H - up to 26 standard modules (60 cells), 21 standard modules (72 cells)
DEGERtracker S70 - up to 30 standard modules (60 cells), 24 standard modules (72 cells)
- MLD technology (Maximum Light Detection) – sensor based “intelligent” control
- Foundations: DEGER Steel Foundation , Concrete Foundation, Driven Pile Foundation
- Wind Load: DEGERtracker S60H up to 170 km/h, 1,35 kN/m²
DEGERtracker S70 up to 130 km/h, 0,85 kN/m²
- Rotating angle East-West : +/- 45°
- Max. slope in N/S direction: 1.5% , max. slope in E/W direction : 10% when using concrete foundations (can be extended when using higher foundations)
- Energy Converter 6 (EK6) with wind guard
- Wire tray: All cables are rooted at the middle pole of the tracker
- Earthing of structure: Standard earthing at one pole
- Power Supply 100 ... 240VAC, Power consumption: 1W in control mode 1W, 15W with active, power consumption/year 15 kWh (approx.)

DEGER Steel Foundation



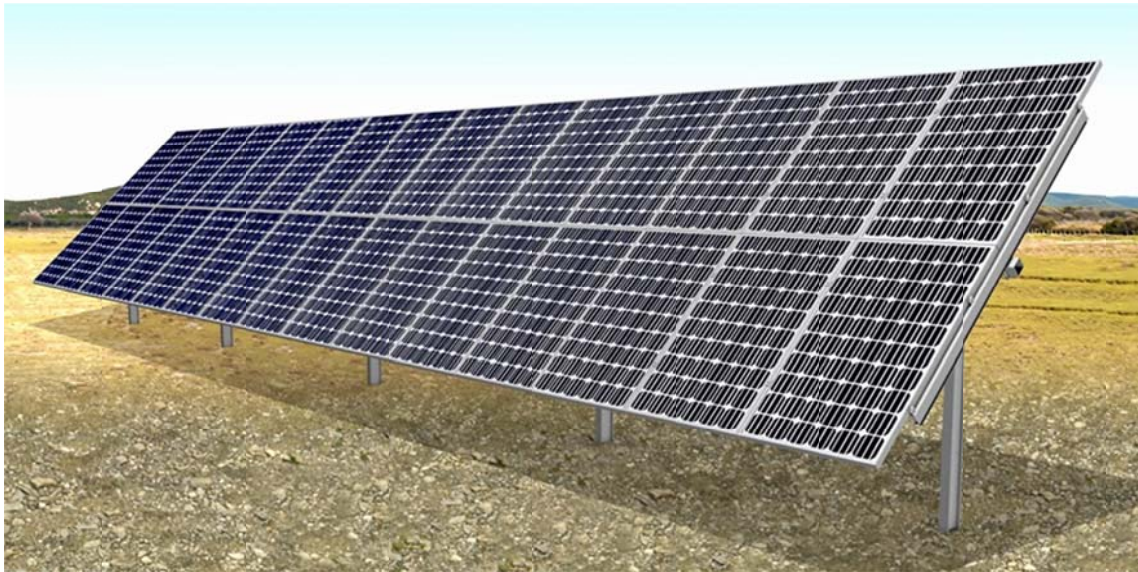
Concrete Foundation



Driven Pile Foundation



DEGERtracker S60H – 3 Piles



DEGERtracker S70 – 5 Piles