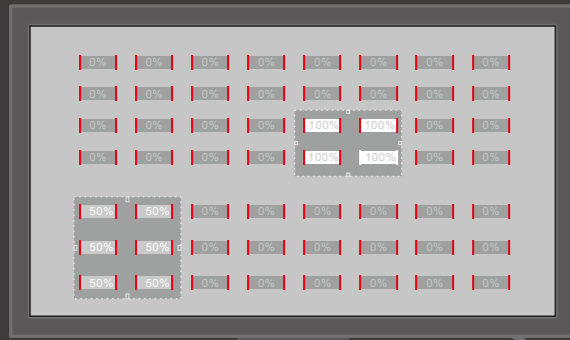


DALI



DALI stands for Digital Addressable Lighting Interface. Connected with computer/ tablet / mobile phone control terminal through operational software, we can accurately control each lamp or lamps in a certain area.

IP65
FIVE YEAR
5
WARRANTY

HiPanel Product Range

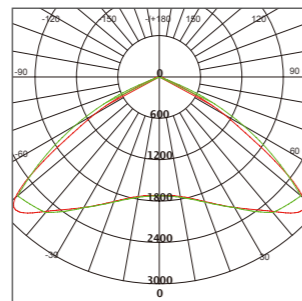
Part numbers	LHB01-30	LHB01-60	LHB01-90	LHB01-120	LHB01-150	LHB01-180
Output	3,300lm	6,600lm	9,900lm	13,200lm	16,500lm	19,800lm
Power	30W	60W	90W	120W	150W	180W
Efficacy	≥ 110lm/W	≥ 110lm/W	≥ 110lm/W	≥ 110lm/W	≥ 110lm/W	≥ 110lm/W
CCT	3000K, 4000K, 5000K					
CRI	>70, >80, >90					
Beam angle	30°x70°, 60°x90°, 40°x130°, 120°					
Nichia LED Chips. 1.4W	28pcs	56pcs	84pcs	112pcs	140pcs	168pcs
Input Voltage	100-277Vac 50-60hz PF ≥0.95					
IP Rating	IP65					
Driver	Meanwell IP65					
HID Equivalent	100W	150W	230W	250W-400W	400W-600W	650W

Control Options

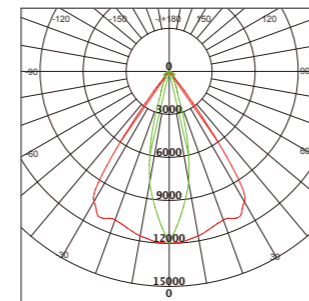
Add to the product part numbers to include these control options

Occupancy Control	DALI Control	1-10V Dimming Control	Zigbee Wireless Control	Daylight Sensor Control
-------------------	--------------	-----------------------	-------------------------	-------------------------

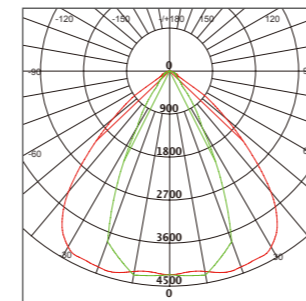
Illuminance Charts



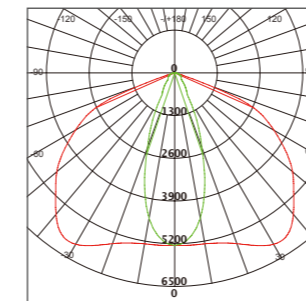
120° Ra70



30°x70° Ra70

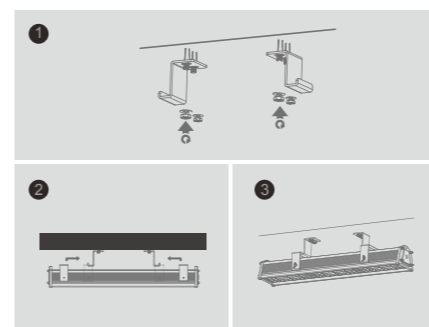
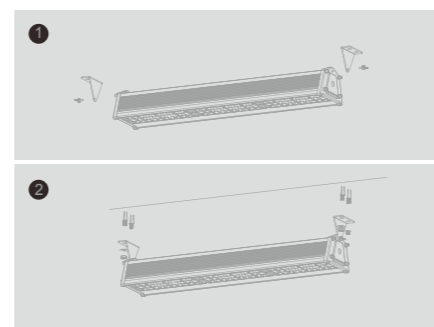
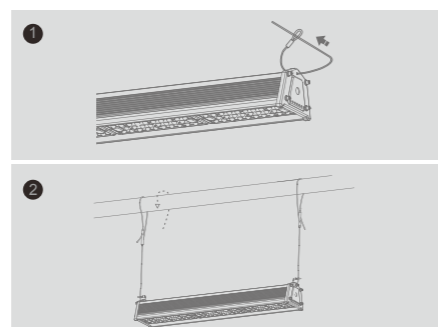


60°x90° Ra70



40°x130° Ra70

HiRack Mounting



HiRack

Born to warehouse aisle



IP65
FIVE YEAR
5
WARRANTY

HiRack

The LED light for warehouse aisle.
Intelligent control interface and occupancy sensor.

HiRack linear LED high bay is born to warehouse aisle, generating rectangular lighting pattern perfectly complied with aisles, providing an intelligent high bay solution.









Lumen Efficiency



HiRack has higher system efficacy, up to 110lm/w. Compared to general COB and HID, HiRack saves more than 80% energy.

Beam Angle

HiRack family has various selections in power (30W-180W), available in different beam angles 30x70degree, 60x90degree and 120degree.

HiRack				
Lighting Pattern				
Beam angle	30°x70°	60°x90°	40°x130°	120°
Applications	Warehouse aisle, Workplane and Docking areas			

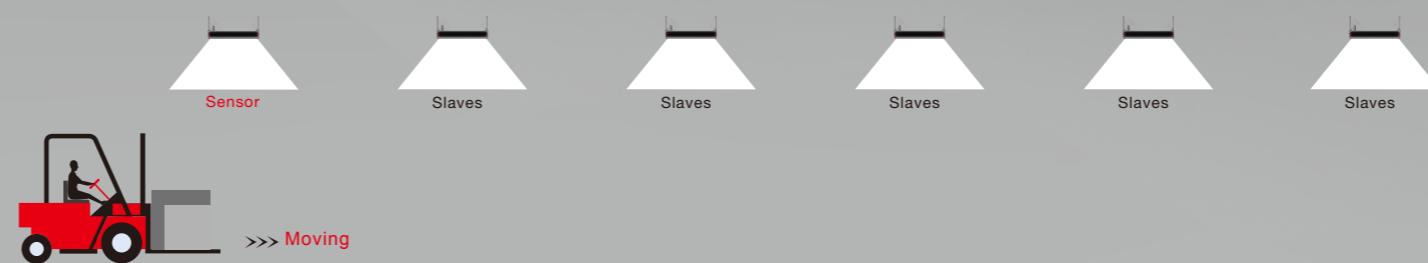


ZigBee

You can remotely control Zigbee HiRack on/off and dimming by your mobile phone/tablet at home. Or control lamps by remote controller.

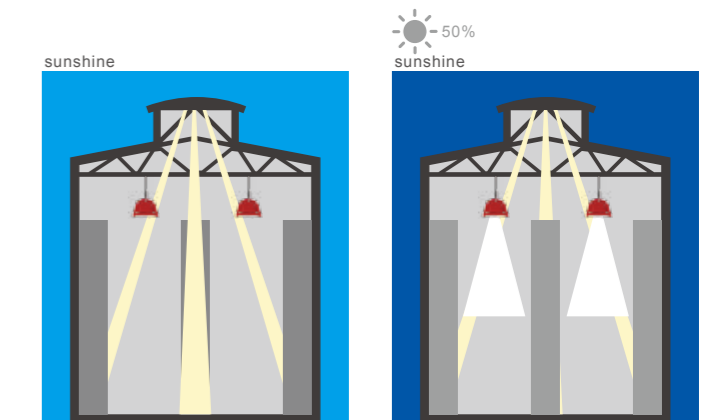


Motion sensor



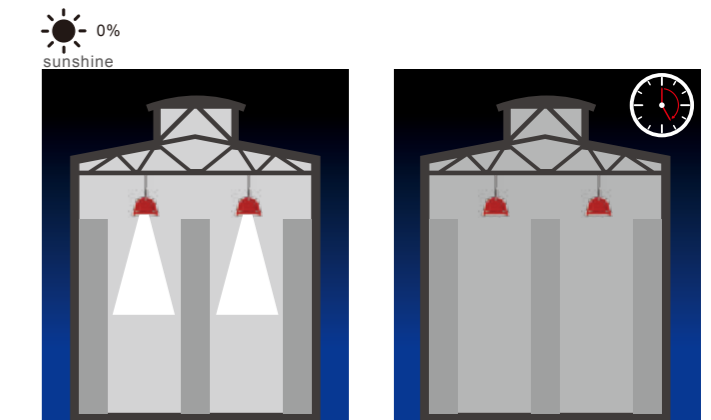
The sensor automatically switches on light when motion detected.

Daylight sensor



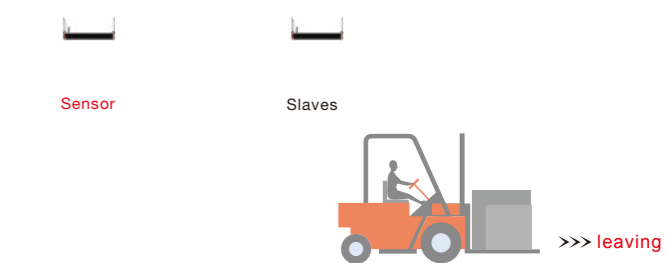
Daylight sensor combined with motion sensor, if with sufficient ambient light (100%), the lamp turns off at once, even with motion trigger.

If ambient light goes down to 50%, the lamp switches on to keep the preset illumination level (set in the motion sensor).



When ambient light is below preset illumination level or down to 0%, the lamps switches on automatically, to the illumination level as preset.

Hold time. After no motion detected, refers to this time period, the lamp remains the illumination level preset before it completely switches off.



When people leave the detection area, light will dim to an illumination level preset and off after a certain time.