

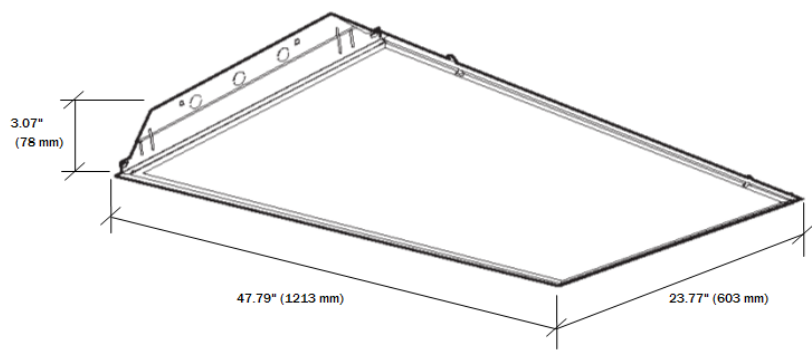


Catalog #:

Project: Date:

Prepared by:

Comments:



FEATURES

- 5 Year Warranty
- Solid State – Shock & Vibration Proof
- High Lumen & High Uniformity
- Lumen Maintenance over 70% @ 50,000+ Hours
- Dimmable 0-10V
- UL/cUL Listed, DLC Listed
- UL Recognized LED Driver
- No UV or IR, No Mercury

APPLICATIONS

- Industrial Area Lighting
- Replaces Standard Dropped Ceiling Troffer & Parabolic Fixtures
- Office Lighting
- Hospital & Hospitality Lighting
- Conference Room Lighting
- Retail & Convenience Store Lighting
- Commercial Area Lighting
- School/College/University Lighting

SPECIFICATIONS

Wattage (W)	45W
Input Voltage (V)	100-277V AC
Color Temperature (K)	4000K
Emitted Color	Natural White
Lumens (lm)	4000 lm
Efficacy	100 lm/w
CRI	≥80
Power Factor (PF)	0.9
Dimming	0-10V

Nominal Dimension	2' X 4'
Actual Dimension (L x W x H)	23.77" X 47.79" X 3.07"
Frequency (Hz)	50/60 Hz
LED Life(hrs)	50,000
Package	1 pc/CTN
Weight	16.75 lbs
Operating Temperature	-18 C / 45 C
Total Harmonic Distortion	<20%

DIMMING COMPATIBILITY

Recommended 0-10V Dimmers	
Leviton	IP710-DLZ
Lightolier	ZP600FAM120W

WARRANTY / CERTIFICATIONS

Certifications	UL/CUL and DLC compliant
Warranty	5 Years Limited Warranty

