

## FT-CRW-120W

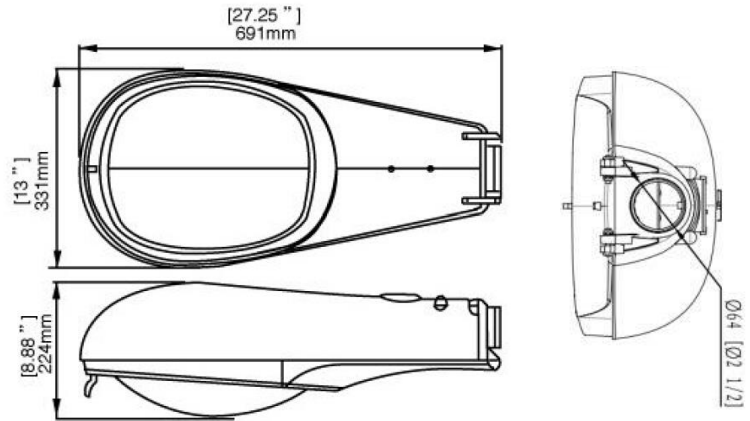
### LED ROADWAY LIGHT - COBRA HEAD

**IP54**

Environment Temperature  
-30°F ~ +130°F

Environment Humidity  
≤95%

Lifespan  
50,000hrs



## 120W LED Roadway Lighting - Cobra Head Products Specification

### FEATURES

- Replace up to 250Watt High pressure sodium
- Universal 120-277V
- Mercury Free: no UV
- Heavy-duty cast aluminum housing; rust and corrosion proof; polyester powder coating
- High light transmittance tempered glass
- Standard pole mount
- Photo Receptacle including inside
- 4KV surge protector inside of power supply
- LM79/LM80 data available
- 5 Year Limited Warranty

### CONSTRUCTION

- Heavy-duty cast aluminum housing; rust and corrosion proof; polyester powder coating
- Diffusor: High light transmittance tempered glass
- LEDs: Top grade LED, high-output, long-life; CREE, SEOUL, SAMSUNG and so on
- Heat Sink: Aluminium sink attached to the housing directly to reduce LED heats and add to life
- LED Driver: IP65/ Constant current meets UL1310 UL 48 Class 1
- Finish: Grey finish. Environmentally friendly polyester powder coatings.
- Mounting: Standard hole for the 2-3/8" pole mount

# FT-CRW-120W

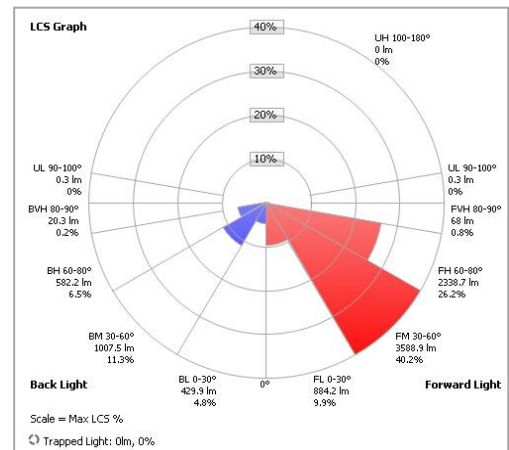
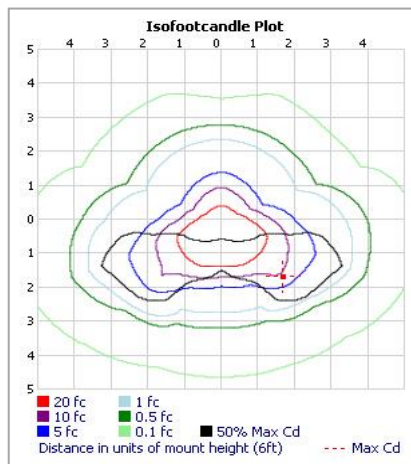
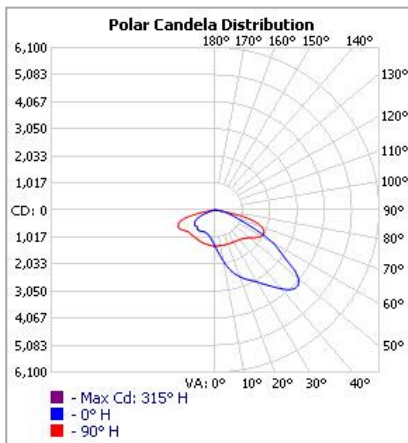
## LED ROADWAY LIGHT - COBRA HEAD

### SPECIFICATION

Item No.	Specification	Data
General Performance	Input Wattage	120
	Initial Lumens	11421
	Efficiency	103.87
	Input Voltage	120-277V/50-60HZ
	CRI	69
	CCT	5000K
	Power Factor	≥0.87
	THD	≤25%
	Driver Type	Constant Current / Class 1
	Surge Protector	4KV inside of Driver
	Luminaire Life	50000HRS
Physical	Dimension	27.25"x13"x8.88"
	Weight	16lbs(7.3kgs)
Operation Condition	Operating Temperature	-30°F ~+130°F
	Humidity	≤95%
Certificate	Certification	LM80
	Environment	Suitable for Wet Location
	Material	Rohs compliant

Remark: The above data is for reference only, the actual performance is subject to measured result. We reserve the right to explain the relative data and testing method.

### PHOTOMETRY



ZONE	LUMENS	% LAMP	% LUMINAIRE
0-30	1,314.3	14.7%	14.7%
0-40	2,435.2	27.3%	27.3%
0-60	5,910.9	66.3%	66.3%
60-90	3,009.1	33.7%	33.7%
70-100	1,034.2	11.6%	11.6%
90-120	0.3	0%	0%
0-90	8,920.0	100%	100%
90-180	0.3	0%	0%
0-180	8,920.3	100%	100%

ROADWAY SUMMARY	
CUTOFF CLASSIFICATION:	CUTOFF
DISTRIBUTION:	TYPE III, SHORT
MAX CD, 90 DEG VERT:	7.0
MAX CD, 80 TO <90 DEG:	705.0
	LUMENS
DOWNWARD STREET SIDE:	6,879.8
DOWNWARD HOUSE SIDE:	2,039.9
DOWNWARD TOTAL:	8,919.8
UPWARD STREET SIDE:	0.3
UPWARD HOUSE SIDE:	0
UPWARD TOTAL:	0.3
TOTAL LUMENS:	8,920.0

ZONE	LUMENS	% TOTAL	ZONE	LUMENS	% TOTAL
0-10	133.5	1.5%	90-100	0.3	0%
10-20	427.2	4.8%	100-110	0	0%
20-30	753.5	8.4%	110-120	0	0%
30-40	1,120.9	12.6%	120-130	0	0%
40-50	1,564.8	17.5%	130-140	0	0%
50-60	1,910.9	21.4%	140-150	0	0%
60-70	1,975.2	22.1%	150-160	0	0%
70-80	945.1	10.6%	160-170	0	0%
80-90	88.8	1.0%	170-180	0	0%

LCS TABLE		
BUG RATING	B2 - U1 - G2	
FORWARD LIGHT	LUMENS	LUMENS %
LOW(0-30):	884.2	9.9%
MEDIUM(30-60):	3,588.9	40.2%
HIGH(60-80):	2,338.7	26.2%
VERY HIGH(80-90):	68.0	0.8%
BACK LIGHT		
LOW(0-30):	429.9	4.8%
MEDIUM(30-60):	1,007.5	11.3%
HIGH(60-80):	582.2	6.5%
VERY HIGH(80-90):	20.3	0.2%
UPLIGHT		
LOW(90-100):	0.3	0%
HIGH(100-180):	0	0%
TRAPPED LIGHT:	0	0%

# FT-CRW-120W

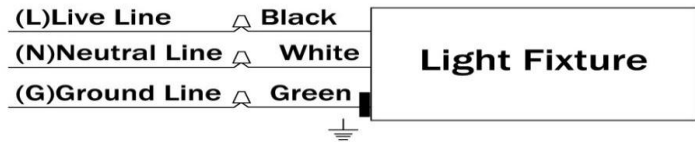
## LED ROADWAY LIGHT - COBRA HEAD

---

### WIRING

Universal voltage driver permits operation at 100V to 277VAC, 50 or 60Hz except fixtures factory ordered with a 120V photocell (/PC).

1. Connect the black fixture lead to the (L) LINE supply lead.
2. Connect the white fixture lead to the (N) COMMON supply lead.
3. Connect the bare copper Ground wire from fixture to supply lead.



Wiring diagram