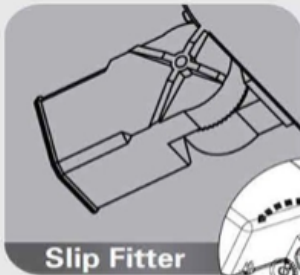


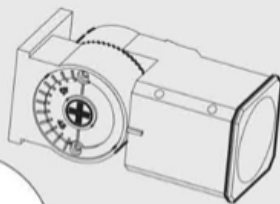
LED Shoebox



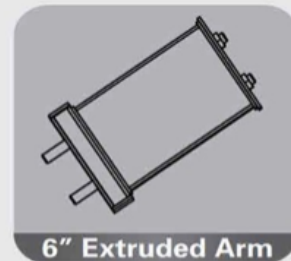
"This is the fixture of choice for all of our dealerships."



Slip Fitter



Length: 6.96-in
Width: 3.071-in
Height: 2.95-in



6" Extruded Arm



Length: 8.87-in
Width: 4.5-in
Height: 4.17-in



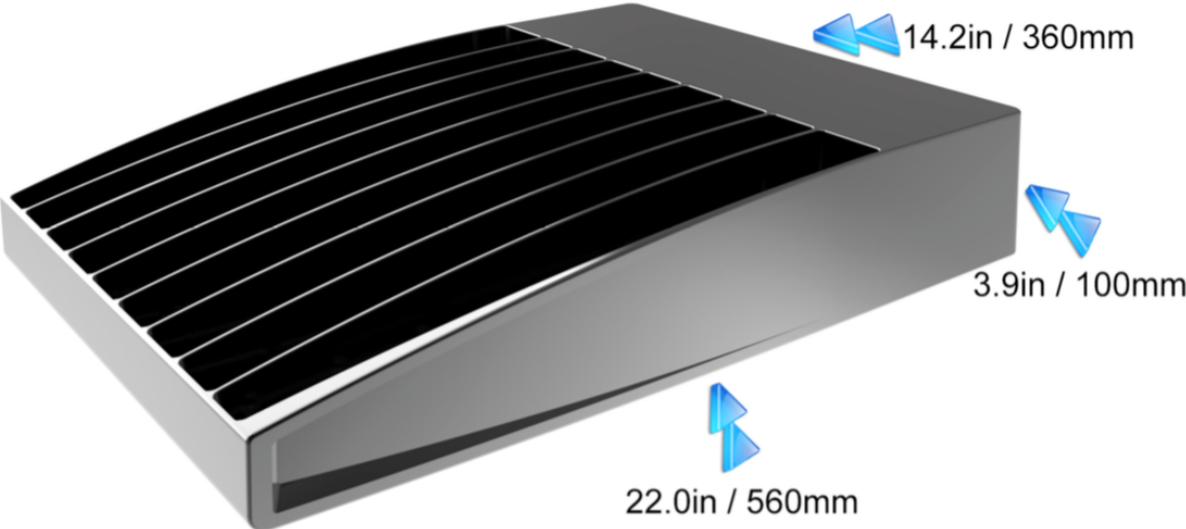
Contact Us:

7057 Marcelle St,
Paramount, CA 90723
800-640-0386
www.altechefficiency.com
sales@altechefficiency.com

Specifications

| Model Number | AE-L-SBAS-150 | AE-L-SBAS-200 | AE-L-SBAS-300 |
|-----------------------------|---|---------------|---------------|
| DLC # | U-ARALS-150 | U-ARALS-200 | U-ARALS-300 |
| DLC Partner | Ultron Industries | | |
| Input Wattage | 150W | 200W | 300W |
| Replacement Wattage | 750W MH | 1000W MH | 1500W MH |
| Input Voltage Range | 100-277V | | |
| Delivered Lumens | 225000 lm | 30000 lm | 45000 lm |
| Lumen Efficiency | 150 lm/w | | |
| Color Rendering Index (CRI) | 70+ | | |
| Color Temperature (Kelvin) | 3000K-5700K | | |
| Beam Angle | 120° | | |
| Power Factor | 0.99 | | |
| Frequency | 50/60Hz | | |
| MAX THD (%) | 15 | | |
| Min. Ambient Temp | -30.0°F / -34.4°C | | |
| Max. Ambient Temp | 130.0°F / 48.9°C | | |
| IP Rating | IP65 | | |
| Dimming Compatible | 3 in 1 dimming function (1~10Vdc or PWM signal or resistance) | | |
| Product Weight | 24.3LBS /11KG | 26.5LBS /12KG | 28.7LBS /13KG |
| Product Height | 3.9in / 100mm | | |
| Product Length | 22.0in / 560mm | | |
| Product Width | 14.2in / 360mm | | |
| Lens | PC | | |
| Materials | Die Cast Aluminum | | |
| Finish | Black (Default) | | |
| LM70 Life Time | 100,000 Hours | | |
| UL/cUL | E481056 | | |
| DesignLights Consortium® | YES | | |
| CE | YES | | |
| FCC | YES | | |
| Warranty | 10 Years | | |

Dimensions



User Guide

Note:

Please read this entire manual to fully understand and safely use this fixture. The products can be used at the voltage of 100-277V AC, 50/60HZ, suitable for indoor and outdoor, moisture proof and dust proof applications. Specifications are subject to change without notice. Please visit www.altechefficiency.com for the most recent product information.

Unpacking:

1. Unpack and carefully examine the product to make sure all of the materials are included.
2. if any part(s) were damaged during shipping, please contact us immediately and save all packing materials
3. DO NOT ATTEMPT TO USE THE FIXTURE IF IT IS DAMAGED IN ANY WAY.

Before You install:

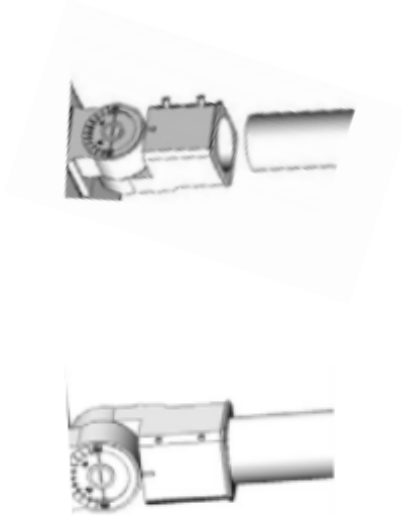
1. Before installing any light fixtures, carefully read and understand all of the installation instructions and product labels as well as all advisories and warnings. Failure to do so can result in injury and/or void the warranty.
2. CONSULT A QUALIFIED ELECTRICIAN TO ENSURE THE PROPER INSTALLATION OF ALL FIXTURES.
3. The product should be installed and operated in accordance with ALL relevant local codes.
4. There is risk of electric shock. Ensure that main power source is off when wiring any fixtures.

Maintenance:

1. This fixture is designed for years with minimum care. For optimum performance, periodically clean the lens with a mild, non abrasive glass cleaner and soft cloth. DO NOT use solvents or cleaners containing abrasive agents. When cleaning the fixture, make sure you have the power turned off and do not spray liquid cleaner directly onto the LED chips, board or wiring.
2. Disconnect the product from the power supply prior to cleaning.
3. Use a dry or slightly moistened cloth for cleaning.
4. Never use any chemicals or abrasive materials on fixture or components.

Installation Instructions for Slip Fitter Mount:

1. Ensure that the lamp pole diameter is less than the diameter of the connection tube diameter of 2 1/2". Loosen screws on connection tube.
2. Adjust the lighting angle as needed utilizing the slip fitter adjustment.



3. Connect the input and ground wires of the fixture to the power supply. **Brown is live. Blue is neutral. Green/Yellow is ground.**
4. Place lamp pole into connection tube and tighten screws.
5. The angle of the slip fitter mount can be adjusted from +90° through -90°.
6. Restore Power

Installation Instructions for 6" Arm:

1. Remove the cover of the 6" arm bracket.
2. Be certain the support pole has adequate mounting surface and conforms to code
3. Determine whether to store the wire connections in the cable access cavity [*] or in the pole interior
4. Open cable-access plate, safely store the tiny screws.
5. With the pole and its mounting holes set at the desired height, bring the lamp and bracket arm up to be mounted.
6. Support the backing plate inside the pole, aligned precisely with the mounting holes.
7. Support the luminaire arm near the mounting holes and thread power cable through the largest hole of the sealing gasket, through the pole's largest drilled hole, and through the backing plate's hole.
8. Feed the three Allen 6mm bolts through to the backing plate to set their screws hand tight. Then fully tighten the middle bolt, followed by the upper bolt, then the lower bolt.
9. Connect the input and ground wires of the fixture to the power supply. Brown is live. Blue is neutral. Green/Yellow is ground.
10. Re-fasten cover plate.
11. Enclose the open pole top and seal as necessary

